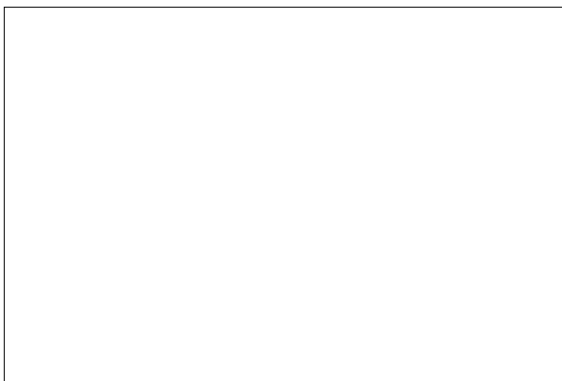


SMTD100I

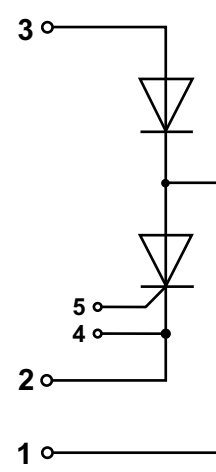
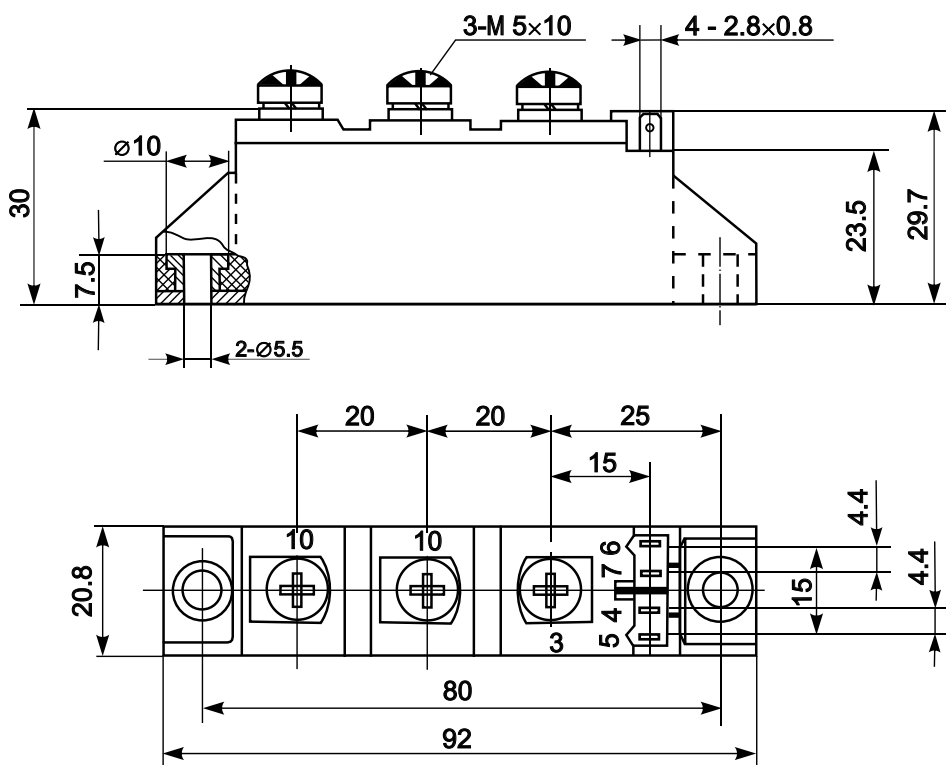


Thyristor-Diode Module



Type	V_{RSM}	V_{RRM} , V_{DRM}
SMTD-100I-08	900	800
SMTD-100I-12	1300	1200
SMTD-100I-14	1500	1400
SMTD-100I-16	1700	1600
SMTD-100I-18	1900	1800
SMTD-100I-20	2100	2000
SMTD-100I-22	2300	2200

Type	I_{TAVM} , I_{FAVM}	I_{TRMS} , I_{FRMS}	T_c	I_{TSM} , I_{FSM}	$(di/dt)_{cr}$	$(dv/dt)_{cr}$	V_{TM}	I_{TM} , I_{FM}	V_{TO}	r_T	t_q	V_{GT}	I_{GT}	T_{VJM}	V_{isol}	R_{thJC}
	A	A	°C	kA	A/μs	V/μs	V	A	V	mΩ	μs	V	mA	°C	V	K/W
SMTD-100I	100	157	85	1.7	150	1000	1.74	300	0.85	3.2	185	1.5	100	125	3600	0.22



- Features:
- Industrial standard package
 - Heat transfer through aluminium nitride ceramic isolated metal baseplate
 - Precise internal pressure contacts for high reliability
 - 3600V RMS isolation voltage

- Typical Applications:
- DC motor control
 - AC motor soft starter
 - Temperature control (e.g. for ovens, chemical processes)
 - Lighting control